



**RUGGED DISPLACEMENT SENSOR
HIGH ACCURACY AND RESOLUTION
WATERPROOF UP TO 5 MPA**

The JM series of VW displacement transducers are used to measure movements at joints and cracks in structures and foundations (concrete, rock, soil)

Description

The **JM** utilizes a vibrating wire sensor attached to a spring tensioned between two anchors. Any variation of distance between these anchors will change the tension in the wire. The sensor is protected by a sliding stainless steel housing.

The **JM-S** Crackmeter is attached to the surface of the structure using groutable or bolt-on anchors. Ball joints at each end of the sensor compensate for any anchor misalignment. The JM-S is also available in 3-D configuration for measurement in three orthogonal directions, or with special clamps for installation on a geogrid.

The **JM-E** Embedment Jointmeter is embedded in concrete structures such that its active length spans the construction joint to be monitored. This model consists of two sections: the socket and the sensor, which are installed and connected during two successive concrete lifts.

The **JM-T** is used in Borehole Extensometers.

A thermistor is integrated to the JM allowing temperature measurement.

Key Features

- Removable and reusable crackmeter
- Stainless steel rugged transducer
- Long-term stability and reliability
- High accuracy and resolution
- Easy installation and reading
- Waterproof up to 5 MPa

Applications

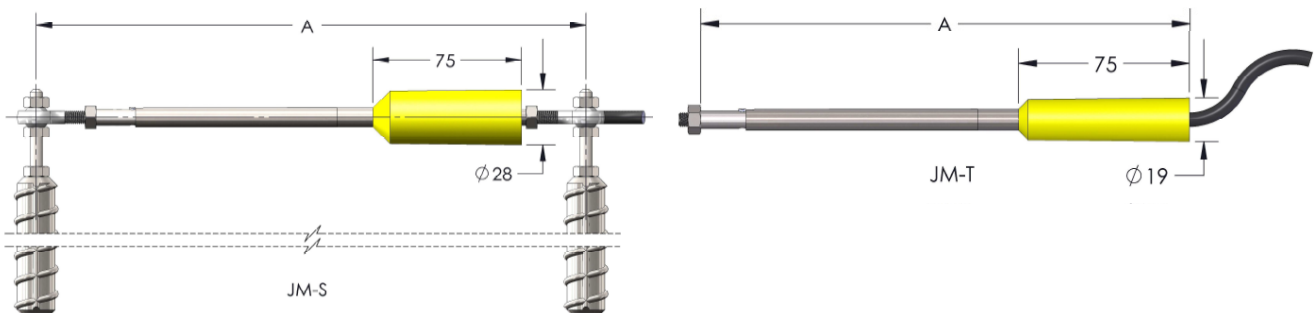
- Determining crack and joint movement in structures and foundations (concrete, masonry, rock)
- Monitoring deformation of layers in a borehole

Specifications

Range	25, 50, 100, 150, 200 ¹ , 250 ¹ , 300 ¹ mm
Overrange	1.00 × range
Accuracy	± 0.25 % F.S. (± 0.1 % in option)
Resolution	0.02 % F.S. (min.)
Operating temperature	-20 °C to +80 °C
Thermistor	3 kΩ
Cable	IRC-41A, IRC-41AP, IRC-390 ² , IRC-21A (JM-T)
Length 'A' of JM-S (mid-range)	289.5, 357, 500, 651, 797, 933, 1076 mm
Length 'A' of JM-T (mid-range)	230.5, 298, 442, 593, 738, 875, 1018 mm
Length of JM-E (at rest)	383, 432, 602, 772 mm
Diameter of JM-E (flanges)	47.6 mm

¹ Ranges not available for JM-E model

² Available only with JM-E



(dimensions are in mm)

Ordering Information

Please specify:

- Model
- Cable length and type

Ordering Information

- Mounting accessories: Universal joints, anchor types (groutable rebar or expandable)
- Other special mounting accessories
- Readout instruments